

Optical Unit

High Pressure Flow Cell (SST)

Table 6-9. High Pressure Flow Cell SST

Item	Description	Part number	QTY	Item	Description	Part number	QTY
	High Pressure Flow Cell SST	79853-60003		4	Window Quartz (pack of 2)	79853-68714	
	HP Cell Kit, includes	79853-68706		5	Gasket Kit (pack of 10)	79853-68707	
4	Window Quartz		2	1	Screw M3 6 mm lg Hex Socket	0515-1623	
5	Gasket		2				

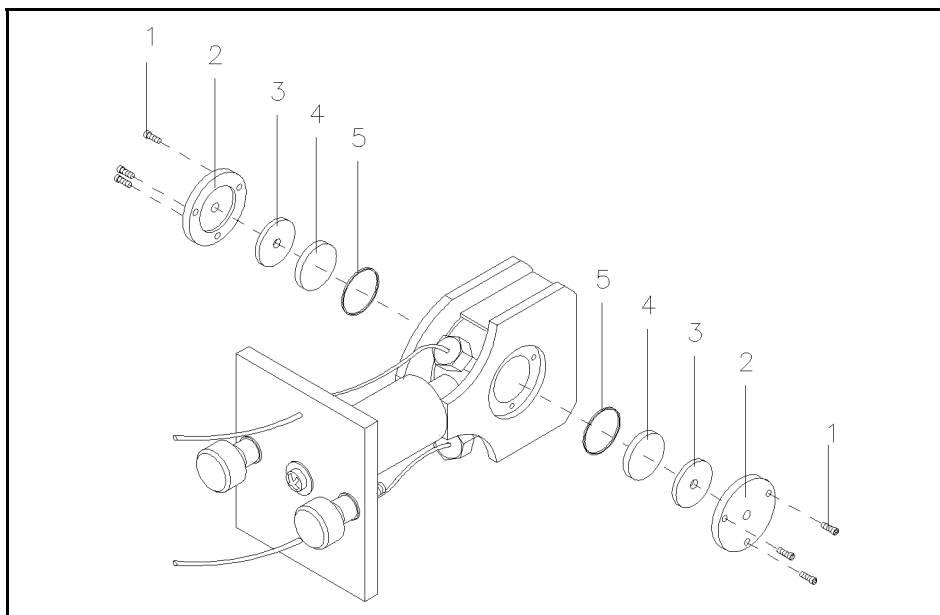


Figure 6-10. High Pressure Cell

1 = screws, 2 = flange, 3 = plate, 4 = window, 5 = gasket