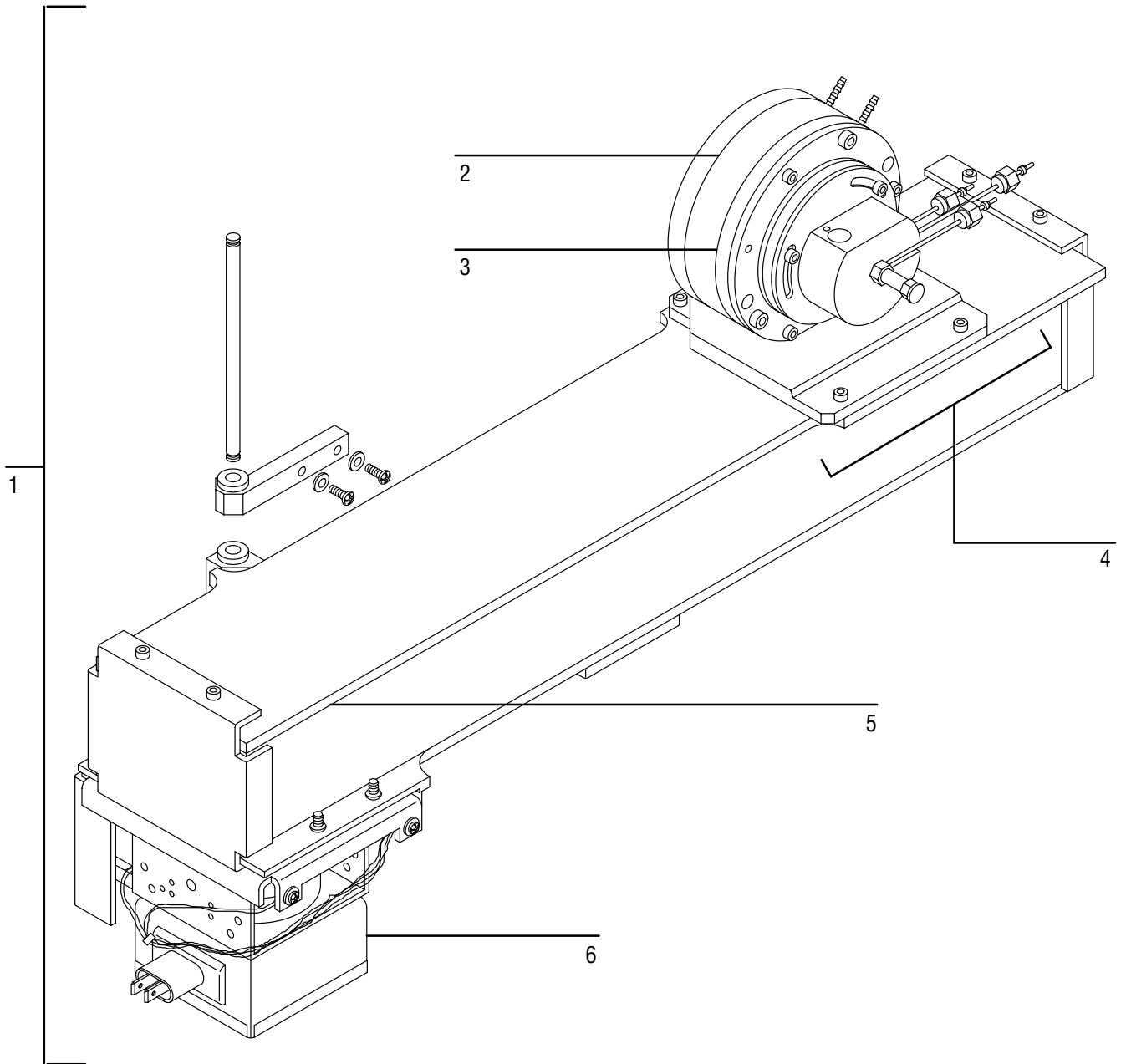

**5921 Emission
source assembly**

	Description	Part Number
1	Emission source assembly (<i>includes parts 2 through 6</i>)	05921-60560
	Emission source assembly (<i>rebuilt</i>)	05921-69560
2	GC side o-ring	0905-1159
3	Optical side o-ring	0905-1160
4	Cavity (<i>order this part as emission source assembly</i>)	05921-69560
5	Waveguide (<i>order this part as emission source assembly</i>)	05921-69560
6	Magnetron (<i>order this part as emission source assembly</i>)	05921-69560



Receiver liner assembly	Description	Part Number
1	Receiver cone	05921-22220
2	O-ring	0905-1163
3	Receiver liner (<i>old style</i>)	05921-20610
	Receiver liner (<i>new style</i>)	05921-22230
4	O-ring	0905-1161
5	Receiver window (<i>cleaned</i>)	05921-80350
6	Reciprocating seal	0905-1164
7	Window cap	05921-21300
	Socket head screws (<i>3, not shown</i>)	0515-2067
8	O-rings (<i>3</i>)	0905-1162
9	Fitting bushing	0100-1504
10	Fitting nut	0100-1505
11	Teflon tubing, <i>per inch</i>	0890-0746
13	Spark fitting	05921-22050
	O-ring (<i>not shown</i>)	0905-0353
14	Sparktop bracement	05921-80880
15	Sparker connector (<i>see Sparker Assembly for more information</i>)	8120-5473

