

Table 15

---

**Turbomolecular pump MSD vacuum system components**


---

<b>Description</b>	<b>HP part number</b>
Baffle (inside stem of triode gauge tube – not shown)	05972-00015
Calibration valve assembly	G1099-60203
calibration vial	05980-20018
Claw clamps for turbo pump	0100-1881
Collar for triode gauge tube	05972-60210
Fan	3160-1037
KF25 clamp (for turbo pump outlet)	0100-0549
KF25 O-ring assembly (for turbo pump outlet)	0100-1551
Manifold end plates	
front	G1099-20552
rear	G1099-20553
Shield for triode gauge tube port	G1099-00003
Side plate (includes thumbscrews)	G1099-60021
Triode gauge tube	0960-0897
Turbomolecular pump <sup>1</sup>	G1946-89001
Turbo pump controller	G1099-89002
Turbo pump seal <sup>1</sup>	0100-1879
Vacuum manifold	G1099-20550
Vent valve knob	G1099-20554

---

<sup>1</sup> The turbo pump and its seal are not user-replaceable parts.  
Refer service to your Hewlett-Packard service representative.

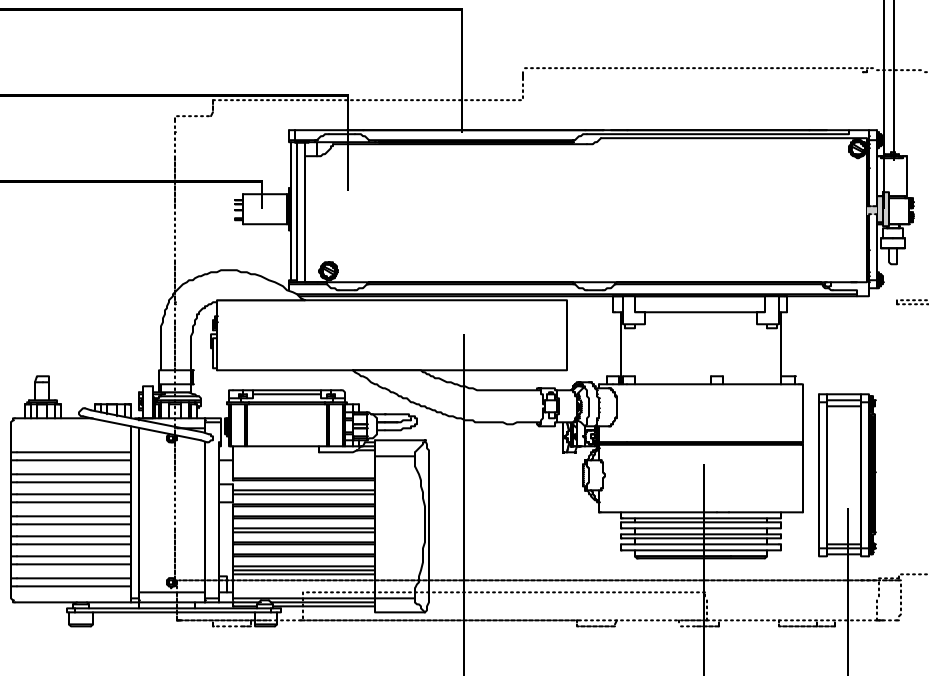
Calibration valve assembly  
(turbo pump version)  
G1099-60203

Vent valve knob  
G1099-20554

Vacuum manifold  
(turbo pump version)  
G0199-20550

Side plate  
G1099-60021

Triode gauge tube  
0960-0897



Turbo pump controller  
G1099-89002

Turbo pump  
G1946-89001

Fan (turbo pump position)  
3160-1037